

MACHÁČ MOTORS S.R.O.

DOLINA 212

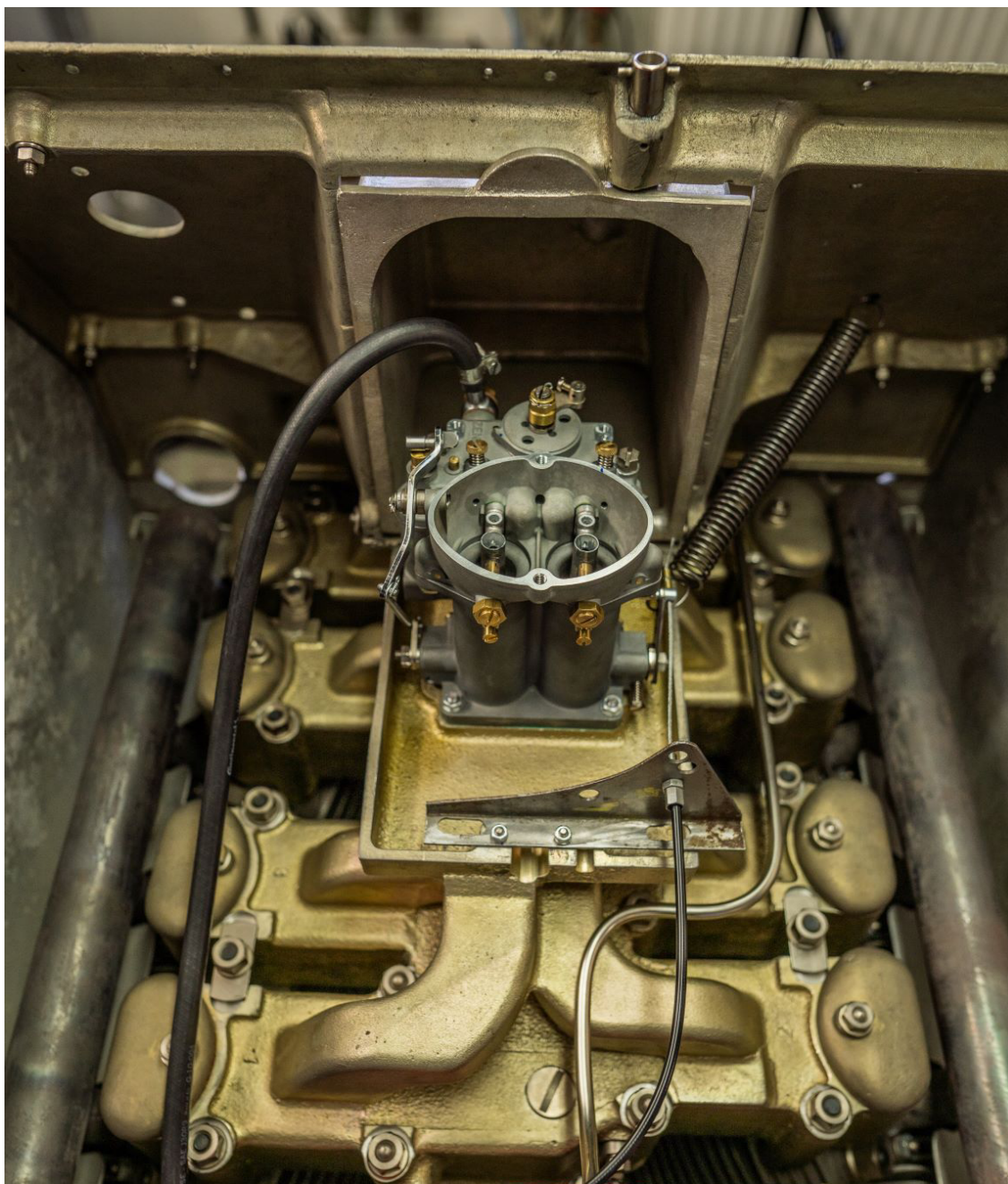
742 72 MOŘKOV

CZECH REPUBLIC

VAT:CZ29396727



## Catalog carburetor Zenith Lyon 36DIB



Vypracoval: Ing. Křiklavová		Pozn.:
Schválil: Jiří a Petr Macháčovi, Martin Klos		
Počet stran: 14	Datum: Březen 2020	Dokument číslo: 4-MM-2001
Přílohy: (dle textu)		

## Obsah

1. Float's part.....	3
2. Upper cover of carburetor .....	7
3. Body of flaps.....	10
4. Photo documentation .....	12



MACHÁČ MOTORS S.R.O.  
DOLINA 212  
742 72 MOŘKOV

# 1. Float's part

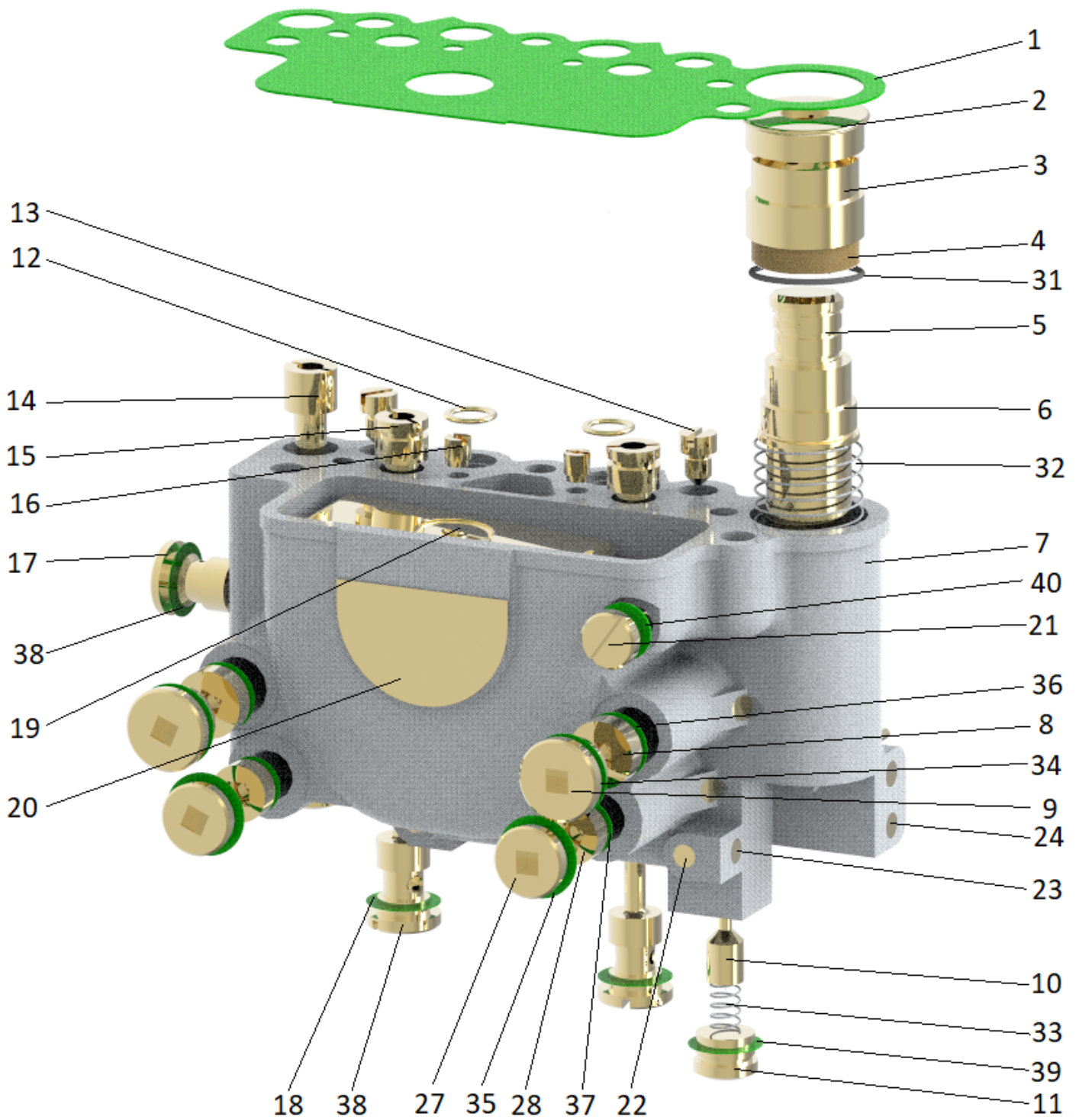


Image 1 – Float's part



MACHÁČ MOTORS S.R.O.  
DOLINA 212  
742 72 MOŘKOV

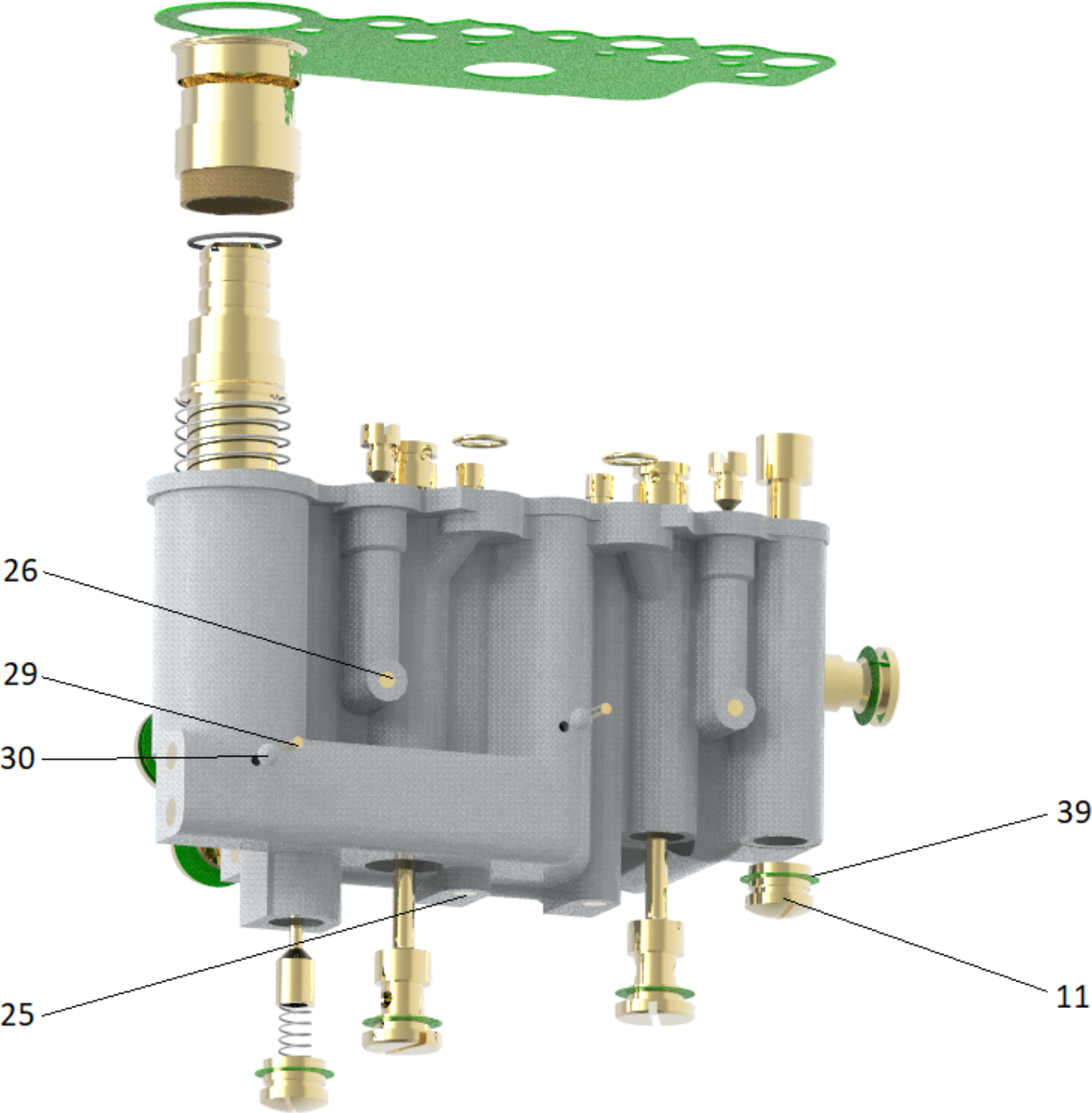


Image 2 – Float’s part



MACHÁČ MOTORS S.R.O.  
DOLINA 212  
742 72 MOŘKOV



<b>Number</b>	<b>Name</b>	<b>Ord.number</b>	<b>Price/ 1 piece</b>
1)	Gasket of float's chamber	17015-0067	11 €
2)	Cap of accelerating pump	4-MM-ka009	37 €
3)	Piston of accelerating pump upper part	4-MM-ka001	8 €
4)	Leather cuff	MM-ka100	9 €
5)	Inner piston of accelerating pump	4-MM-ka002	17 €
6)	Piston of accelerating pump lower part	4-MM-ka003	17 €
7)	Float's chambre	MM-ka101	450 €
8)	Main nozzle	4-MM-ka021	8 €
9)	Cover of main nozzle	4-MM-ka026	9 €
10)	Piston of enricher	4-MM-ka015	17€
11)	Cover piston of enricher	4-MM-ka027	9 €
12)	Strainer	4-MM-ka029	22 €
13)	Idling nozzle	4-MM-ka030	16 €
14)	Ait tank of choke	4-MM-ka013	18 €
15)	Main air tank	4-MM-ka014	17 €
16)	Nozzle of accelerating pump and injector	4-MM-ka028	16 €
17)	Nozzle of choke	4-MM-ka035	23 €
18)	Emulsion's tube	4-MM-ka034	23 €
19)	Float	4-MM-ka043	135€
20)	Label	MM-ka102	53 €
21)	Float's screw	4-MM-ka022	14 €
22)	Plug channel - cone 1	MM-ka103	2 €
23)	Plug channel - cone 2	MM-ka104	2 €
24)	Plug channel - cone 3	MM-ka105	2 €



MACHÁČ MOTORS S.R.O.  
DOLINA 212  
742 72 MOŘKOV

25)	Plug channel - cone 4	MM-ka106	2 €
26)	Plug channel - cone 5	MM-ka107	2 €
27)	Cover of compensatory nozzle	4-MM-ka020	7 €
28)	Nozzle compensatory	4-MM-ka025	9 €
29)	Pin of ball retroactive valve	MM-ka108	6 €
30)	Glasse´s ball	MM-ka109	1 €
31)	Spring wristband	MM-ka110	13 €
32)	Spring piston of accelerating pump	MM-ka111	15 €
33)	Spring piston of enricher	MM-ka112	10 €
34)	Gasket of cover 13mm	MM-ka113	1 €
35)	Gasket of cover 11mm	MM-ka114	1 €
36)	Gasket of nozzle big	MM-ka115	1 €
37)	Gasket of nozzle small	MM-ka116	1 €
38)	Gasket	MM-ka117	1 €
39)	Gasket	MM-ka118	1 €
40)	Gasket	MM-ka119	1 €



## 2. Upper cover of carburetor

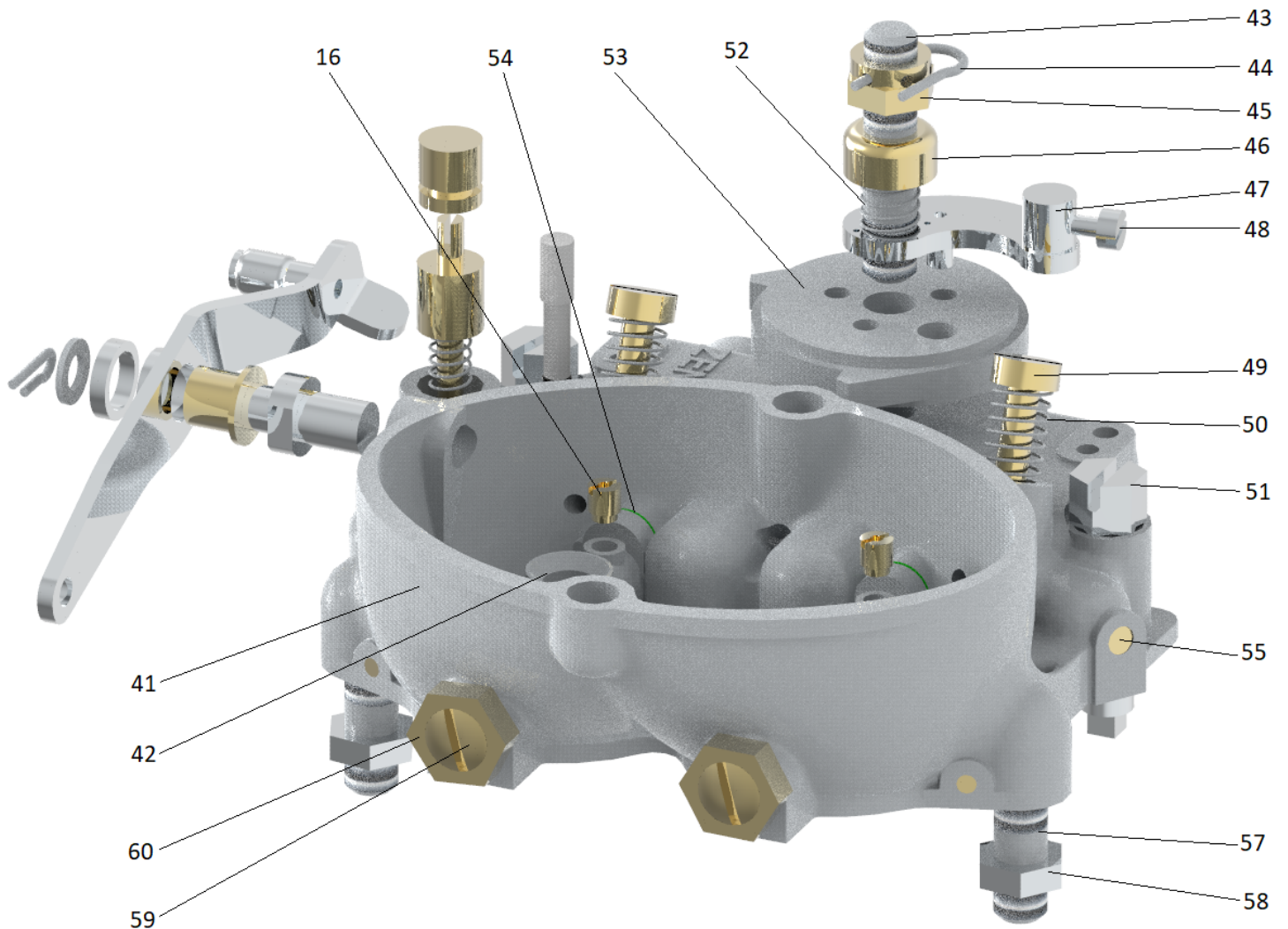


Image 3 – Upper cover of carburetor 1



MACHÁČ MOTORS S.R.O.  
DOLINA 212  
742 72 MOŘKOV

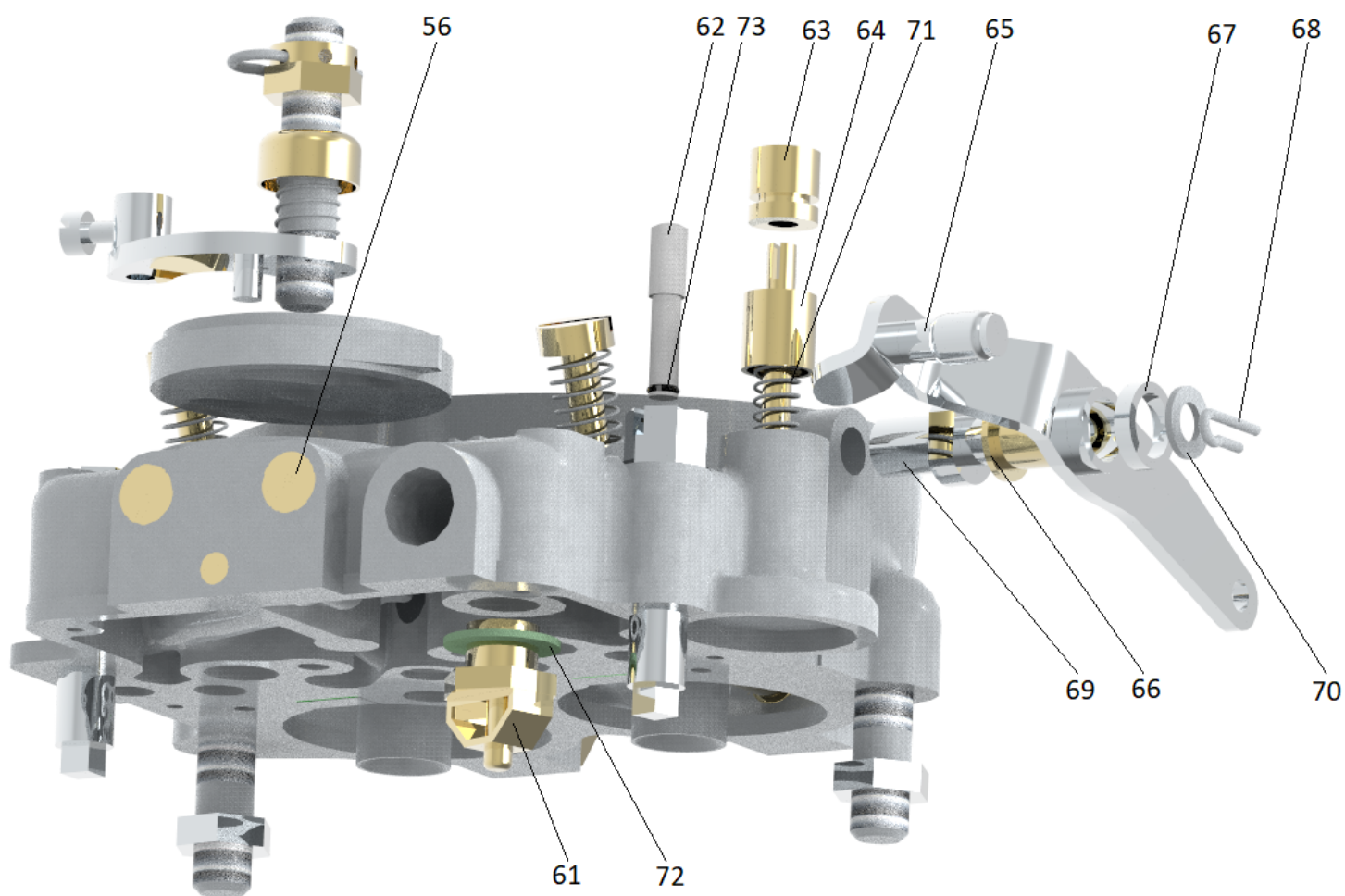


Image 4 – Upper cover of carburetor 2

Number	Name	Ord.number	Price/ 1 piece
41)	Upper cover of carburetor	MM-ka120	465 €
42)	Diffuser small	MM-ka121	50 €
43)	Screw M8 of choke	MM-ka122	2 €
44)	Split pin	MM-ka123	1 €
45)	Nut of choke	4-MM-ka031	22 €
46)	Cover of spring choke	4-MM-ka008	29 €
47)	Lever of choke	4-MM-ka010	33 €
48)	Screw of rope choke	MM-ka124	1 €



MACHÁČ MOTORS S.R.O.  
DOLINA 212  
742 72 MOŘKOV



49)	Screw of enrichment	4-MM-ka033	13 €
50)	Spring	MM-ka125	10 €
51)	Screw M8	4-MM-ka023	15 €
52)	Spring	MM-ka126	13 €
53)	Body of choke	4-MM-ka011	66 €
54)	Gasket of diffuser small	17015-0070	2 €
55)	Plug channel - cone 6	MM-ka127	2 €
56)	Plug channel - cone 7	MM-ka128	2 €
57)	Screw M8	MM-ka129	2 €
58)	Nut M8 low	MM-ka130	3 €
59)	Screw of accelerating diffuser	4-MM-ka012	19 €
60)	Nut - brass	4-MM-ka018	5 €
61)	Needle's valve	MM-ka131	58 €
62)	Piston of enricher	4-MM-ka007	8 €
63)	Piston of accelerating pump upper part 1	4-MM-ka040	12 €
64)	Piston of accelerating pump upper part 2	4-MM-ka041	28 €
65)	Lever of accelerating pump	4-MM-ka042	19 €
66)	Housing	4-MM-ka050	7 €
67)	Washer	MM-ka132	1 €
68)	Split pin	MM-ka133	1 €
69)	Pin of lever accelerating pump	4-MM-ka004	15 €
70)	Washer	MM-ka134	1 €
71)	Spring piston of accelerating pump	MM-ka135	12 €
72)	Washer of valve	MM-ka136	1 €
73)	Wire fuse	MM-ka137	1 €



### 3. Body of flaps

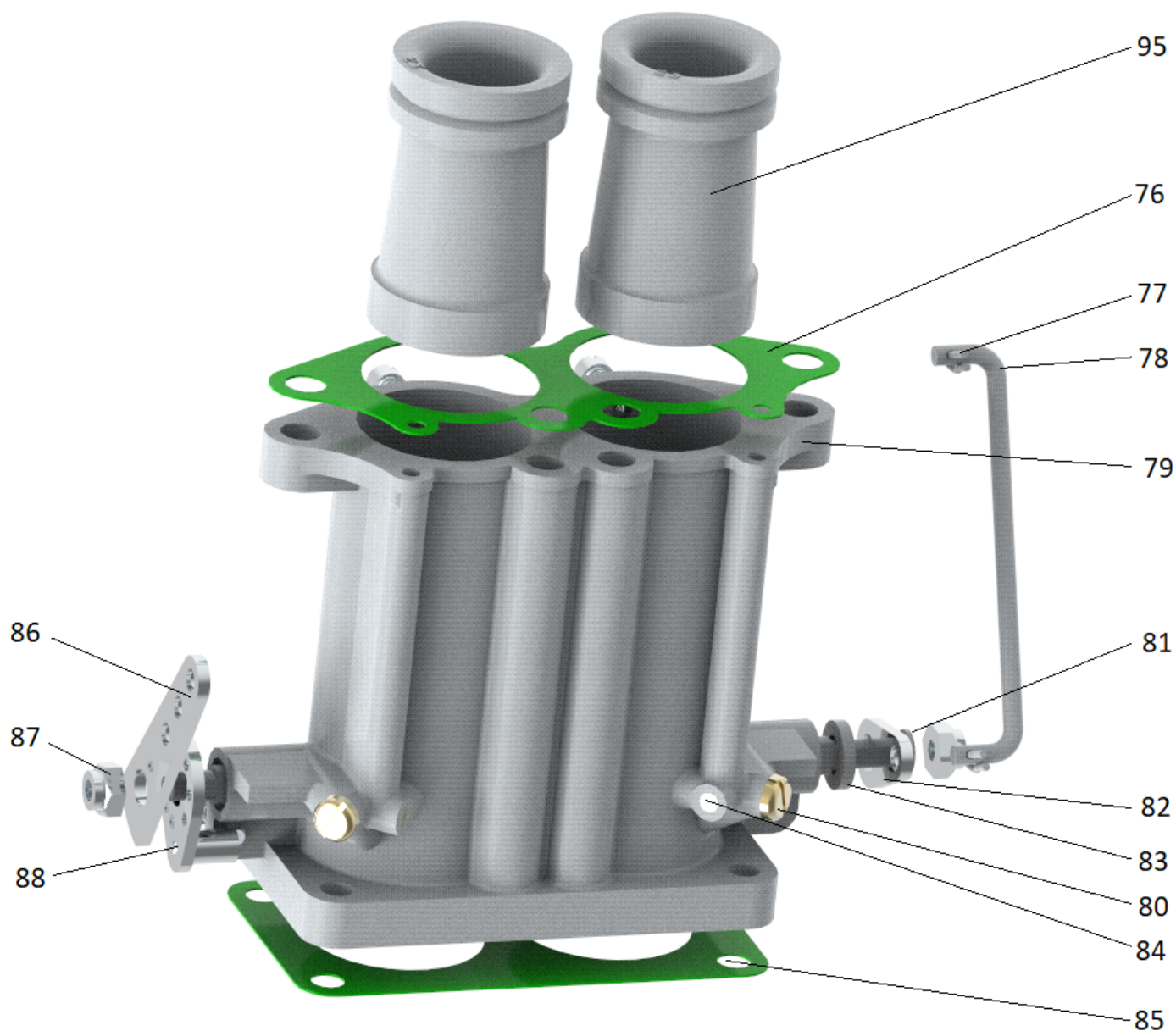


Image 5 – Body of flaps 1



MACHÁČ MOTORS S.R.O.  
DOLINA 212  
742 72 MOŘKOV

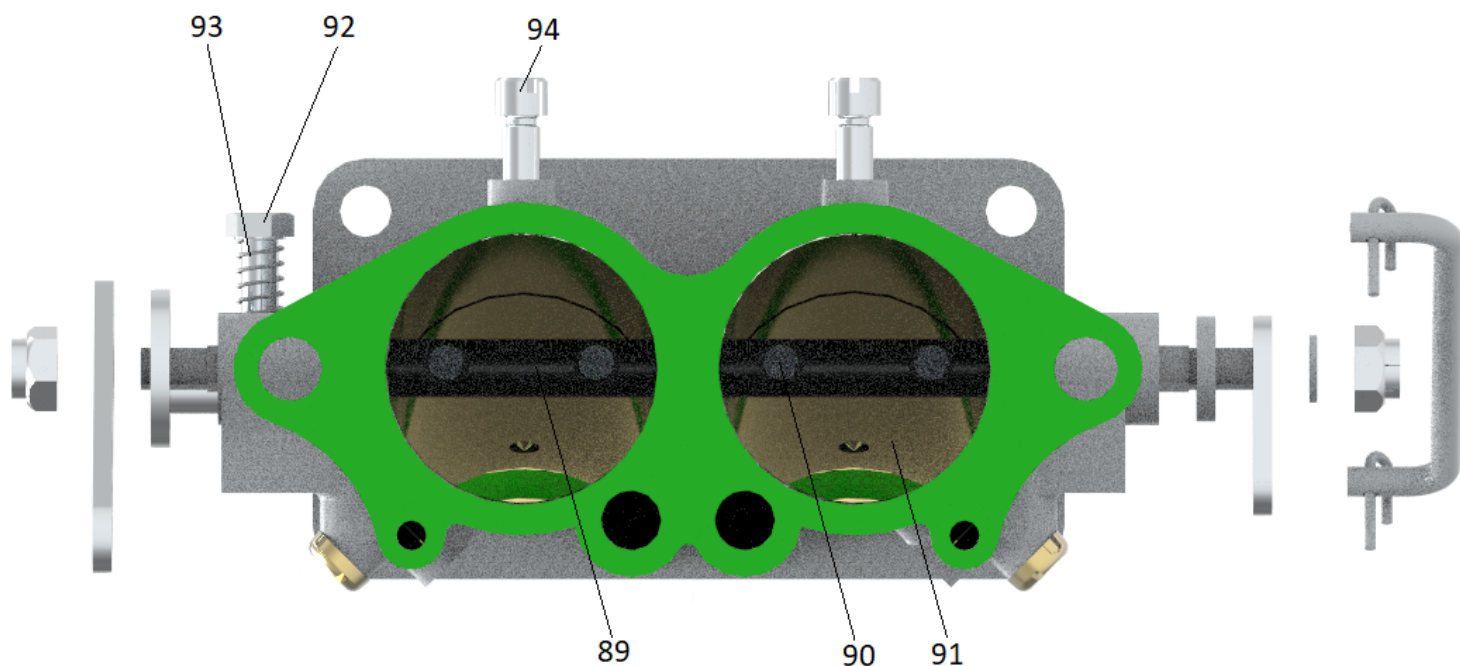


Image 6 – Body of flaps 1

Number	Name	Ord.number	Price/ 1 piece
76)	Gasket	17015-0066	11 €
77)	Split pin	MM-ka138	1 €
78)	Rod of accelerating pump	MM-ka139	13 €
79)	Body of flap	MM-ka140	350 €
80)	Screw M5	MM-ka141	7 €
81)	Washer	MM-ka142	1 €
82)	Lever of accelerating pump	4-MM-ka005	2 €
83)	Washer of shaft	MM-ka143	1 €
84)	Plug channel - cone 8	MM-ka144	2 €
85)	Gasket	17015-0067	10 €
86)	Lever of throttle	MM-ka145	2 €
87)	Nut of shaft	4-MM-ka033	13 €



MACHÁČ MOTORS S.R.O.  
DOLINA 212  
742 72 MOŘKOV

88)	Lever of stop shaft	4-MM-ka006	11 €
89)	Shaft	MM-ka146	72 €
90)	Screw of flap	MM-ka147	3 €
91)	Flap	MM-ka148	49 €
92)	Screw of stop	MM-ka149	3 €
93)	Spring	MM-ka150	10 €
94)	Screw of accelerating diffuser	4-MM-ka017	7 €
95)	Diffuser	MM-ka151	50 €

#### 4. Photo documentation



Image 7 – Carburetor assembly 1



MACHÁČ MOTORS S.R.O.  
DOLINA 212  
742 72 MOŘKOV





Image 8 – Carburetor assembly 2

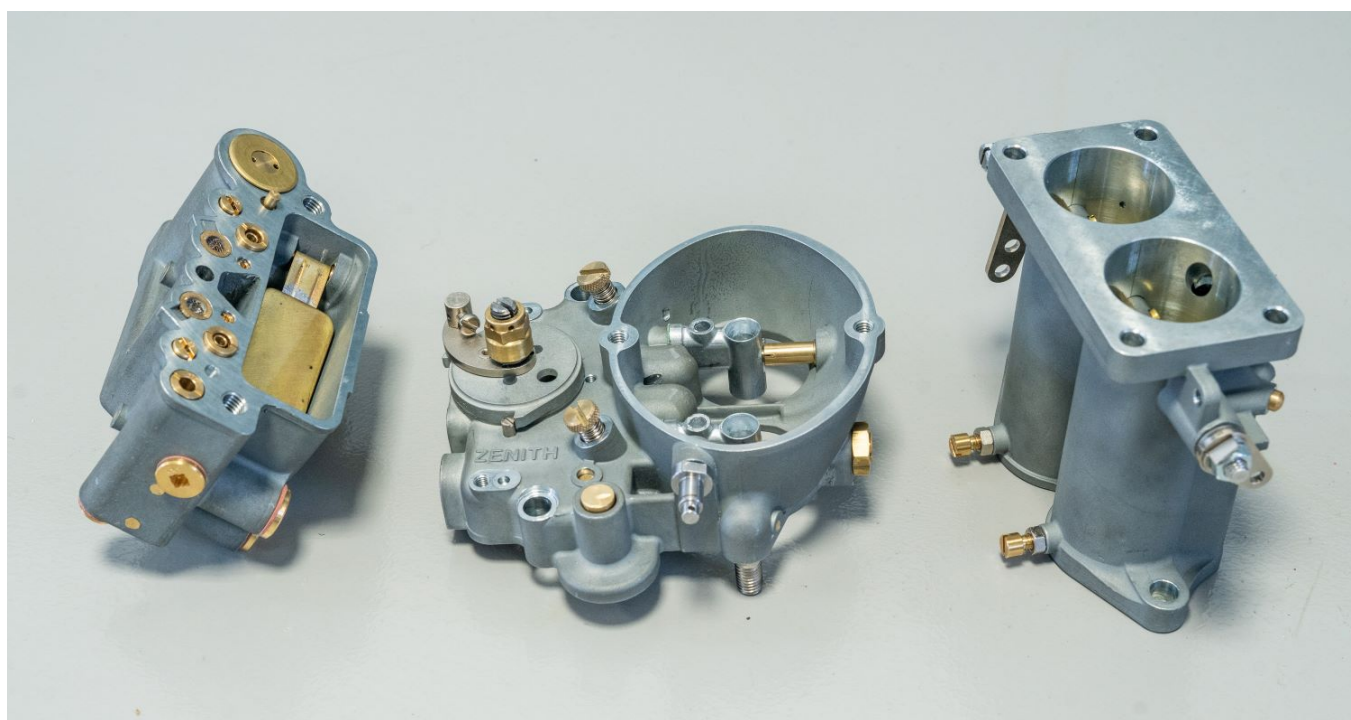


Image 9 – Carburetor parts 1



MACHÁČ MOTORS S.R.O.  
DOLINA 212  
742 72 MOŘKOV

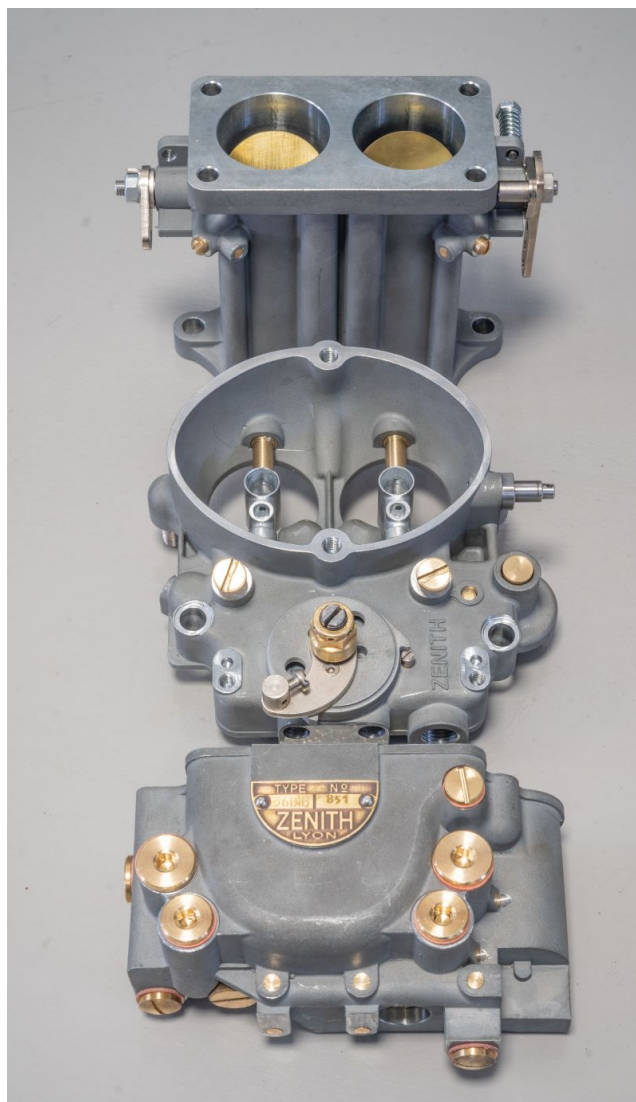


Image 10 – Carburetor parts 2